

DH-DVR0404ME-U: 4 channel video inputs and 4 channel audio inputs. The 1st channel support 25/30fps at D1 and others channel support 25/30fps at CIF recording. It can support TV, VGA and USB2.0. GPS Wi-Fi, 3G are optional.

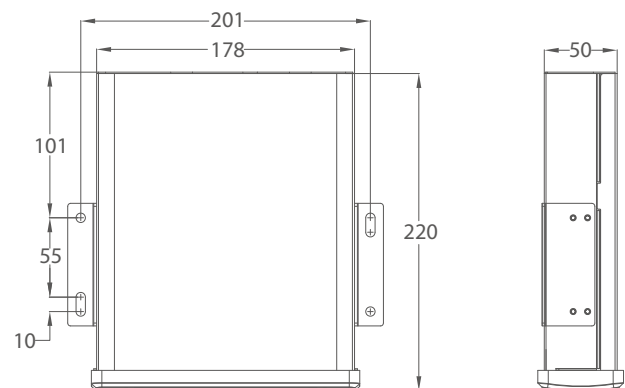
Features

- 4 channels mobile standalone DVR
- H.264 video compression algorithm ideal
- 1DIN compact size(the car CD machine standard size) and standard car electronic interface, easy for embedded installation
- Multi-information display and recording: Car Number, Time, Channel, GPS, Speed, and Station name information, support freely setting of overlay and recording
- Watermark technology prevent video data tampering, to ensure the authenticity of the record
- Support wide voltage car power supply input(8~60V), protection of overvoltage, under-voltage, short circuit and over-current
- Air connector interface used, provide excellent waterproof, shockproof performance
- Pluggable HDD-case used, provide powerful vibration-proof capability
- Multi-Interface such as USB 2.0, Ethernet port, RS232,RS485 port, VGA, Alarm in/out etc
- Built-in web server, multi-DVR client, MSS & CMS

Rear Panel



Dimension(mm)



Specifications

Model		DVR0404ME-U
System	Main Processor	High performance embedded microprocessor
	Operating System	Embedded LINUX
	System Resources	Pentaplex function: live, recording, playback, backup & remote access
	Control Mode	USB mouse, IR remote control, Keyboard, Network
Video	Input	4 channel, Air connector to BNC(1.0Vp-p, 75Ω)
	Standard	NTSC(525Line, 60f/s), PAL(625Line, 50f/s)
	Output	2 TV, Air connector to BNC(1.0Vp-p, 75Ω), 1 VGA(RJ45 port extension)
Audio	Input	4 channel, Air connector to BNC(200-2800mV, 30KΩ)
	Output	2 channel, Air connector to BNC(200-3000mV, 5KΩ)
	Bidirectional Talk	1 channel Input, (200-2800mV, 30KΩ), 1 channel Output, (200-3000mV, 5KΩ), 4-pin port extension
Display	Display Split	1/4
	Resolution	1280×1024, 1280×720, 1024×768, 800×600
	Tour Display	Support
	Privacy Masking	4 self-defined four-sided zones for privacy masking for each camera
	OSD	GPS information, Camera name, time, video loss, camera lock, motion detection, recording
Recording	Video/Audio Compression	H.264 / PCM
	Image Resolution	D1/4CIF(704×576/704×480) / HD1(352×576/352×480) / 2CIF(704×288/704×240) / CIF(352×288/352×240) / QCIF(176×144/176×120)
	Encoding Speed	Main Stream:
		Channel 1: D1/CIF/QCIF (1~25/30fps) / Channel 2~4: CIF/QCIF (1~25/30fps), D1 (1~6/7fps)
		Extra Stream: QCIF(1~25/30fps), CIF(1~6/7fps)
	Bit Rate	32~2048Kb/s
	Image Quality	1~6 level(level 6 is the best, VBR effectively)
	Recording Mode	Manual, Schedule(Regular(Continuous), MD(Video detection: Motion detection, Camera blank, Video loss), Alarm), Stop
Recording Priority	Manual >Alarm >MD >Regular	
Recording Interval	1~120 min. (default: 60 min.), Pre-record: 1~30 sec., Post-record: 10~300 sec.	
Video Detection & Alarm	Trigger Events	Recording, PTZ movement, Tour, Alarm, Email, Spot output
	Motion Detection	Zones: 396(22×18), Sensitivity: 1~6 (level 6 is highest)
	Video Loss & Camera Blank	Support
	Alarm Input	7 channel
	Relay Output	2 channel
Playback & Backup	Playback Channel	1/2/4
	Search Mode	Time/Date, Alarm, Motion Detection & Exact search (accurate to second)
	Playback Functions	Play, Pause, Stop, Rewind, Fast play, Slow play, Next file, Previous file, Next camera, Previous camera Full screen, Repeat, Shuffle, Backup selection, Digital zoom(any size)
	Backup Mode	Pluggable HDD-case / Flash drive / USB HDD / USB CD/DVD-RW / SD card / Network download
Network	Ethernet	RJ-45 port (10/100M)
	Wi-Fi	Optional
	3G	Optional
	Network Functions	TCP/IP, UDP, DHCP, DNS, IP Filter, PPPOE, DDNS, FTP, Email, Alarm Server
	Remote Operation	Monitor, PTZ control, Playback, System setting, File download, Log information
Hard Disk	Hard Disk	1 SATA 2.5-inch HDD, Pluggable HDD-case
	SD Card	2 SD card supported
	Space Occupation	Audio: 28.8MB/H, Video: 56~900MB/H
	HDD Management	Hard disk hibernation technology, HDD faulty alarm & Raid(Redundancy)
Auxiliary Interface	USB Interface	2 ports, 1 in front, another extension
	RS232	2 ports, RJ11, Communication
	RS485	PTZ control
	GPS	Optional
Environmental	Power Supply	+12V / +24V / +42V(+8V~+60V)
	Power Consumption	<15W(with HDD)
	Working Environment	0~+55°C / 10%~95%RH / 86~106kpa
	Dimension	178mm×220mm×50mm(W×D×H)
	Weight	2.1KG(with HDD)
	Vibration-proof	5Hz~300Hz: X / Y / Z each direction 8 hours
5Hz~11Hz: Vibration amplitude 10mm		
11Hz~300Hz: 50m/s ²		