



Fire alarm systems

Addressable siren

3377

- High sound output but low current consumption
- Three different tones and priority levels
- Connected directly on the COM loop

General

The siren is a general purpose sounder that consists of a horn (incl. all electronics) and a back box, which has double cable entries. It is made of red ABS plastic. The COM loop is connected directly to the siren via a plug-in 4-way terminal block (2 in / 2 out).

High sound output

The siren has a high sound output but a low current consumption. The volume can be adjusted via a potentiometer.

Tones

Three tones are available:

- Continuous 990 Hz
- Pulsed (Intermittent) 990 Hz, 0.5s / 0.5s
- Two-tone (Alternating) 990/650 Hz, 0.25s / 0.25s

Priority levels

Three priority levels are available in system EBL512 and two in system EBL128. For each level an output control expression and a tone is programmed (via Win512 / Win128).

The siren can, for example, be used for pre-warning, fire alarm and general fire alarm, with a different tone for each type of alarm.

Address & Mode setting

For COM loop address setting, the address setting tool 3314 is used. The siren has an address label where the address is to be written. 3314 is also used to set the mode:

- **NORMAL** mode: 3377 (3377 in Win512 / Win128).
- **2330** mode: Can not be used.
- **2312** mode: Can not be used.

Miscellaneous

The address setting tool 3314 is connected directly to siren's connectors when the terminal block is unplugged.

The siren is power supplied via the COM loop, i.e. the number of sirens is depending on the type and number of other units connected to the same COM loop.

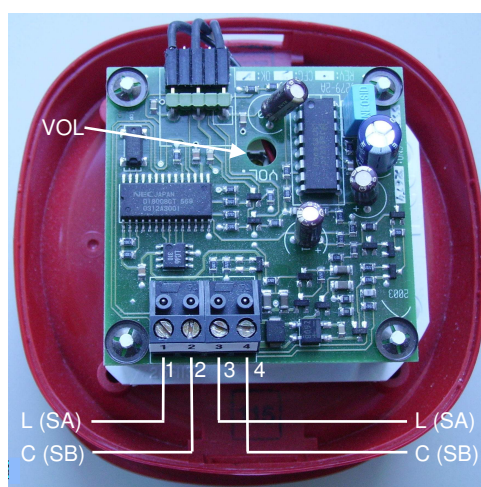
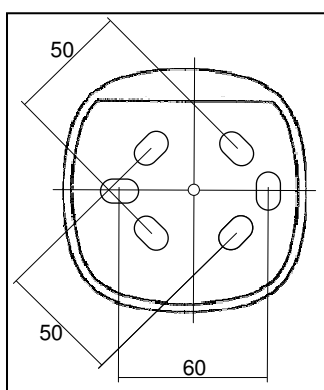
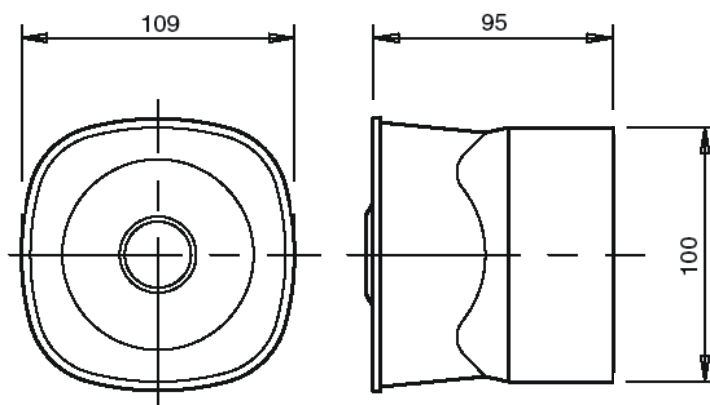
Product applications

Used in the systems **EBL512** (SW version \geq 2.2) and **EBL128**. The siren is intended for indoor use and in dry premises.

Type number

3377

Addressable siren



Technical data

Voltage (V DC)	
rated	24
allowed	12-28
normal	24
Current consumption from COM loop at norm. volt. (mA)	
quiescent	1
active	≤17
Ambient temperature (°C)	
operating	-10 to +55
storage	-25 to +70
Ambient humidity (% RH)	Max. 95, non condensing
Ingress Protection rating	IP 21C
Sound output (dB (A) @ 1 m)	90.3 ±3 (max. volume) 70.9 ±3 (min. volume)
Frequency stability (%)	±0.5
Weight (g)	212
Colour	Red (ABS plastic case)
Approvals	CE; EN54-3, type A

All technical features and data are subject to changes without notice, resulting from continuous development and improvement.

Product Leaflet	Date of issue	Revision / Date of revision
MEW00128	2003-06-30	5 / 2009-11-10