

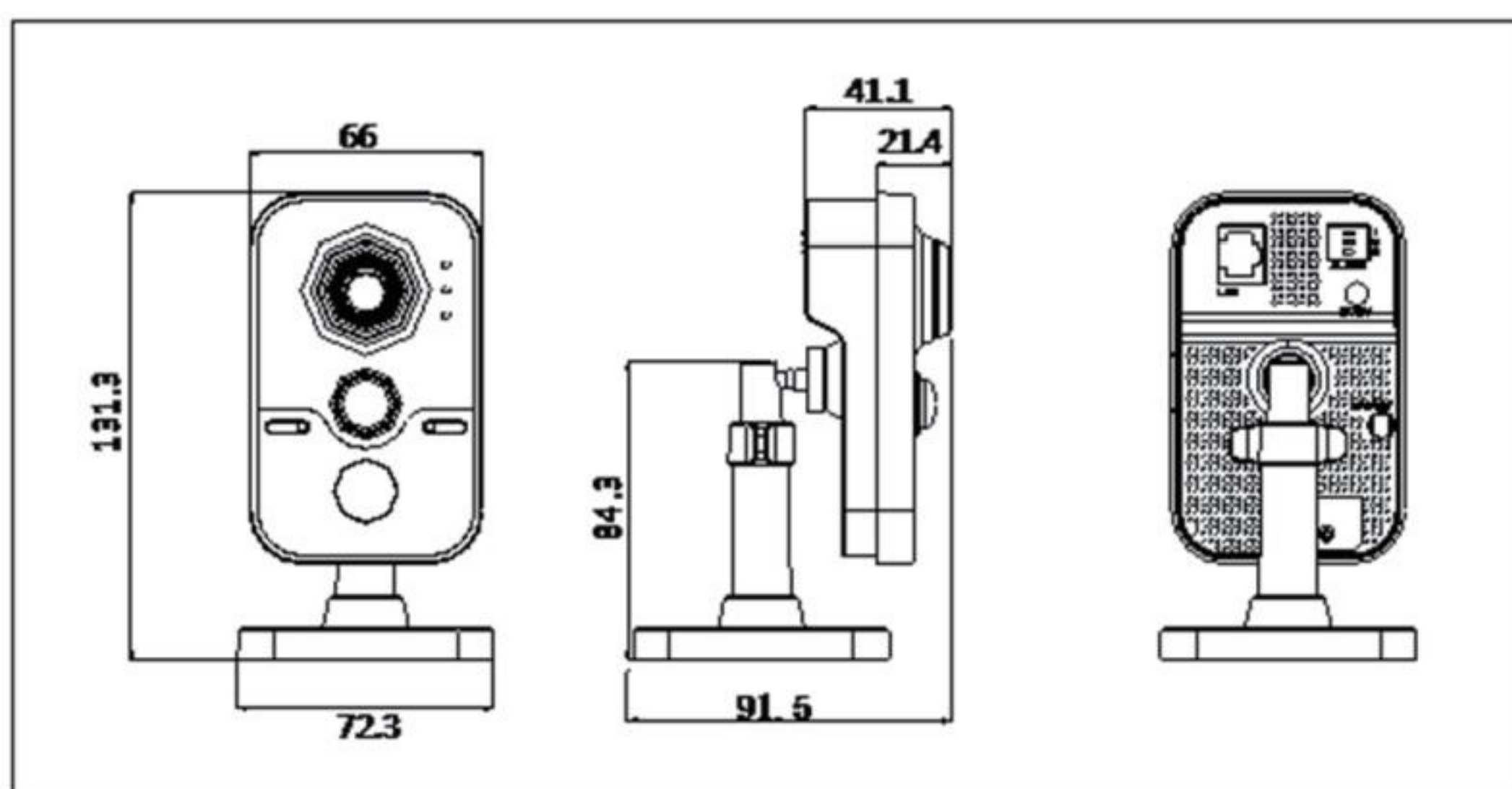
IR Cube Network Camera



Key features

- 1.3MP / 3MP high resolution
- HD real-time video
- PIR detection
- IR LEDs (up to 10m)
- DWDR & 3D DNR & BLC
- PoE
- SD/SDHC/SDXC card slot (up to 64GB)
- Wi-Fi optional (WPS connection)

Dimensions



Available models

DS-2CD2412F-I, DS-2CD2412F-IW
DS-2CD2432F-I, DS-2CD2432F-IW

* -W: Wi-Fi

Camera	
Image sensor	1/3" progressive scan CMOS
Min. illumination	0.01 lux @F1.2, AGC ON, 0 lux with IR 0.07Lux @(F1.2,AGC ON) ,0 Lux with IR
Shutter time	1/25s ~ 1/100,000s
Lens	4mm@ F2.0 (2.8mm, 6mm optional)
	4mm@ F2.0 (2.8mm, 6mm optional) Angle of view: 92.5°(2.8mm), 73.1°(4mm), 46°(6mm) 2048 × 1536: Angle of view: 86°(4mm), 70°(4mm), 43.3°(6mm) 1920 × 1080: Angle of view: 98.5°(4mm), 79°(4mm), 49°(6mm)
Lens mount	M12
Day & night	IR cut filter with auto switch
Digital noise reduction	3D DNR
Wide dynamic range	Digital WDR
Backlight compensation	Yes, zone configurable
Compression Standard	
Video compression	H.264 / MJPEG
H.264 codec profile	Main profile
Bit rate	32 Kbps ~ 16 Mbps
Audio compression	G.711/G.726/MP2L2
Audio bit rate	64Kbps(G.711) / 16Kbps(G.726) / 32-128Kbps(MP2L2)
Image	
Max. Image Resolution	1280 × 960 2048 × 1536
Frame rate	50 Hz: 25 fps (1280 × 960), 25 fps (1280 x720), 25 fps (704 x 576), 25 fps (640 x 480) 60 Hz: 30 fps (1280 × 960), 30 fps (1280 x720), 30 fps (704 x 576), 30 fps (640 x 480) 50Hz: 20fps (2048 x 1536), 25fps (1920 × 1080), 25fps (1280 x 720) 60Hz: 20fps (2048 x 1536), 30fps (1920 × 1080), 30fps (1280 x 720)
Image settings	Rotate mode, Saturation, brightness, contrast, sharpness adjustable through client software or web browser
ROI	Yes, up to 4 configurable areas
Network	
Network storage	Local storage: Built-in Micro SD/SDHC/SDXC card slot, up to 64 GB. NAS
Alarm trigger	Motion detection, Dynamic Analysis, Tampering alarm, Network disconnect, IP address conflict, Storage exception
Protocols	TCP/IP, ICMP, HTTP, HTTPS, FTP, DHCP, DNS, DDNS, RTP, RTSP, RTCP, PPPoE, NTP, UPnP, SMTP, SNMP, IGMP, 802.1X, QoS, IPv6, Bonjour
System compatibility	ONVIF, PSIA, CGI, ISAPI
General functionalities	Flickerless, dual stream, heartbeat, mirror, user authentication, video mask, watermark
Interface	
Communication interface	1 RJ45 10 M / 100 M Ethernet interface
Onboard storage	Built-in Micro SD/SDHC/SDXC card slot, up to 64 GB
Alarm I/O	1/1
Wi-Fi parameters (only for -W model)	
Wi-Fi standard	IEEE802.11b, 802.11g, 802.11n Draft
Frequency range	2.4 GHz ~ 2.4835 GHz
Communication bandwidth	Support 20/40 MHz
Protocols	802.11b: CCK, QPSK, BPSK; 802.11g/n: OFDM
802.11g/n: OFDM	64/128-bit WEP, WPA/WPA2, WPA-PSK/WPA2-PSK, WPS
Transmission rate	11b: 11Mbps, 11g: 54Mbps, 11n: 150Mbps
Transmission range	Outdoor: 200m, Indoor: 50m(depend on environment)
Wireless Standards	IEEE802.11b, 802.11g, 802.11n Draft
General	
Operating conditions	-30 °C – 60 °C Humidity 95% or less (non-condensing)
Power supply	DC12V±10% / PoE(802.3af)
Power consumption	Max. 5W
PIR	Angle: 80° Range: 10m
IR range	10 meters
Dimension	66×91.5×131.3(2.60"×3.60" ×5.17")
Weight	400g(0.88lbs)

* "-W" series support Wi-Fi (802.11b/g/n) and the modules with Wi-Fi function don't support the 802.1X protocol.

*Without power adaptor in the case by default.