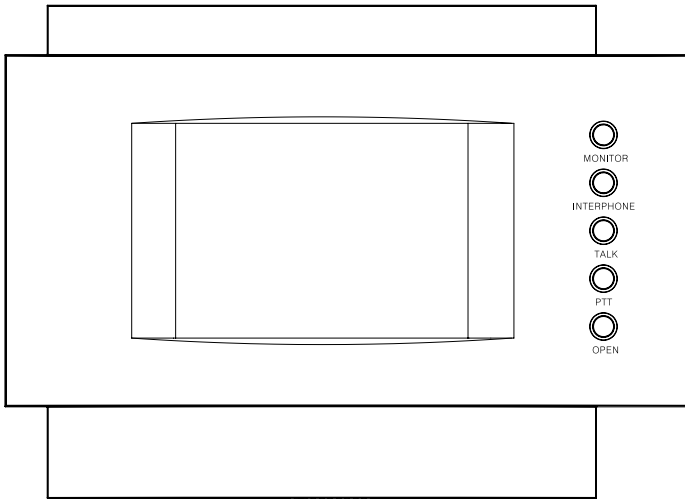




COMMAX[®]

Color Video Doorphone

Model No. CDV-50A



COMMAX Co.,Ltd.

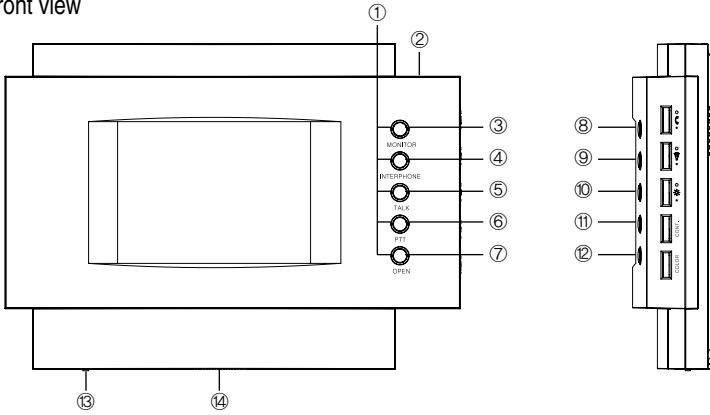
- Thank you for purchasing our COMMAX product.
- Please carefully read this User's Guide (in particular, precautions for safety) before using the product and follow the instructions to use your product exactly.
- The company is not responsible for any safety accidents caused in abnormal operation of the product.

Contents

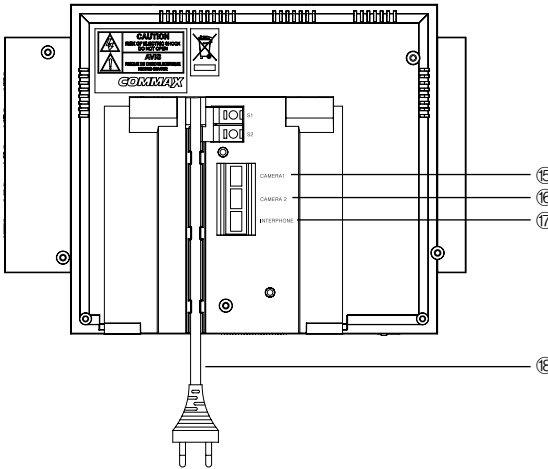
1. Location	3
- Front view	
- Rear view	
2. Product Usage	4
- Visitor Call	
- Talking to the Interphone	
- Monitoring	
- Push To Talk (PTT)	
3. Installation Method	5
- 1) Monitor Installation	
- 2) Standard Height of Monitor	
- 3) Wiring Diagram	
4. Part list	6
5. Specifications	7

1. Location

► Front view



► Rear view



①	L.E.D Indicator
②	C-Microphone
③	Monitoring Button
④	Interphone Button
⑤	Talk Button
⑥	Push To Talk

⑦	Release open Button
⑧	Volume adjust controller
⑨	Bell adjust controller
⑩	Brightness adjust controller
⑪	Cont adjust controller
⑫	Color adjust controller

⑬	Power OFF/ON
⑭	Speaker
⑮	Cam1 connection socket
⑯	Cam2 connection socket
⑰	Interphone connection socket
⑱	AC power cord

2. Product Usage

• Visitor's Call

1. When a visitor pushes the "Call" button on the door camera installed at the entrance, a chime bell will be sounded and the image of visitor will be shown on the monitor. At this time, the MONITOR LED will be blinking.
2. Press the "Talk" button after checking the image of visitor and talk.
(The maximum time possible to talk on this product is 90 seconds.)
3. Upon completion of your talk with the visitor, press the "Talk" button again to turn off the screen and the system returns to the standby mode.
4. Press the "Open" button to open the door while talking with the visitor.

• Talking to the Interphone

1. Press the "Interphone" button on the monitor to page the interphone. Press the "Talk" button to speak over the interphone.
2. When a call is made to the monitor from the interphone, the interphone LED will blink and an electronic chime will be sounded.
3. When a call is received from the camera while having a talk between monitor and interphone, the monitor LED will blink and a 3-way conversation of monitor, interphone and camera can be enabled.

• Monitoring

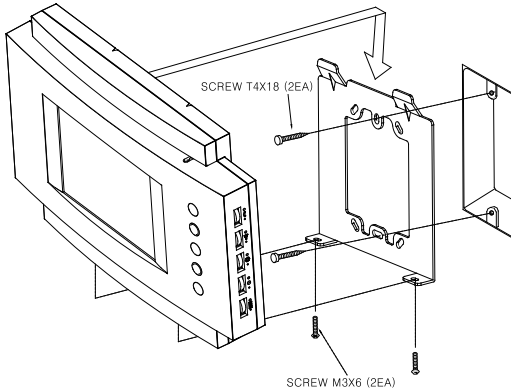
1. The images of the camera installed at the entrance can be checked for 60 seconds by pressing the "Monitor" button on the monitor.
2. A maximum of 2 cameras can be connected and it moves to the modes of Camera-1, Camera-2 and Turn-Off whenever the "Monitor" button is pressed.
 - ※ When turning on the power, the system checks the connection between monitor and camera for about 2 seconds.
During this period of time, the monitor LED will blink in red and then it stays green when in the standby mode. The monitor buttons will not work while checking the connection.

• Push To Talk (PTT)

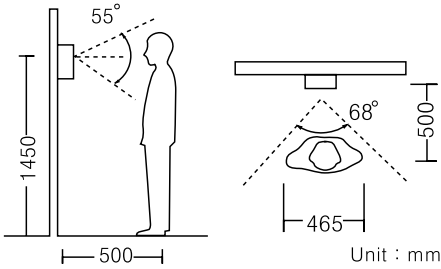
When the talking sound from the monitor is not sent clearly to the camera due to the noise of the entrance, try to talk while pressing and holding down the "PTT" button and only the sound of the monitor will be sent to the entrance camera.

3. Installation Method

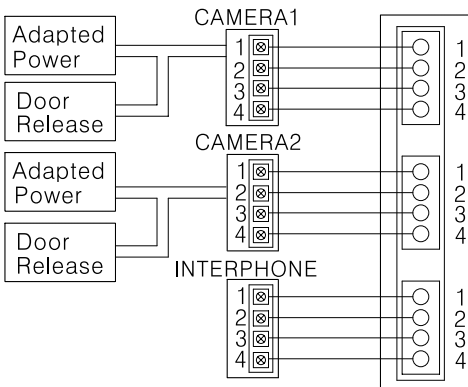
1) Monitor Installation



2) Standard Height of Monitor

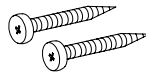
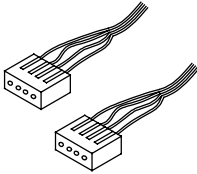
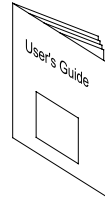
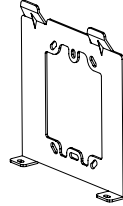
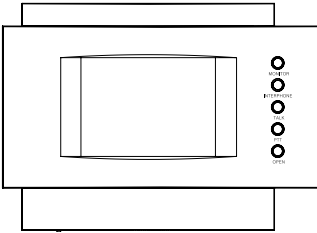


3) Wiring Diagram



4. Part list

Monitor	1 unit
Bracket for monitor	1 unit
Connect connector	2 unit
Fixed screw for bracket	2 unit
Fixed screw for monitor bracket	2 unit
Manual	1 unit



5. Specifications

Power Source	AC 100-240V, 50/60Hz	
Screen Size	5" Color TFT-LCD	
Power Consumption	Stand by	3Watts
	Operating	15Watts
Transmitted Method	Door : 4 wires (Polarity)	
Calling Sound	Commax Chime	
Video Receiving Time	Stand by	60 ± 10 seconds
	Answer to	90 ± 10 seconds
Communication Distance	For 0.65mm cable 50m	
Operating Temperature	0°C ~ +40°C	
Operating Humidity	Less than 90%	
Dimensions (W/H/D) mm	245 X 175 X 45.6 mm	
Weight (kg)	1.2kg	

Home Automation
COMMAX®

COMMAX Co.,Ltd.

a513-11, Sangdaewon-dong, Jungwon-gu,

Seongnam-si, Gyeonggi-do, Korea

Int'l Business Dept. :

Tel.; +82-31-7393-540~550

Fax.; +82-31-745-2133

Web site : www.commax.com

Printed In Korea