

# COMMON TALK INTERPHONE/PAGING SYSTEM

Model: TP - 6AC  
TP - 12AC



**JUNG ANG ELECTRONICS CO., LTD.**

## ■ INSTALLATION

Each TP-nAC Interphone has a bracket to facilitate wall-mounted installation. Secure the bracket to the wall with screws provided. Fit the slots in the interphone base over the hooks on the bracket and pull the interphone down slightly to secure.

## ■ OPERATION INSTRUCTION

### CALLING ANOTHER STATION

1. Lift the handset and press the call button for the desired station.  
A tremolo call tone will sound at the station called.
2. You can hear a faint calling tone from your receiver.
3. To make a conference call, simultaneously press the desired call buttons.
4. When you have completed your call, replace the handset.

### \* RECEIVING A CALL

1. When the call tone sounds, lift the handset and reply.
2. Replace the handset when finished.

NOTE: Calling sound can be adjusted by calling switch(Figure-6)

### \* ALL-CALL PAGING

1. Lift the handset and press and hold the paging button corresponding to the station you are using, speak into the handset

NOTE: If not necessary the paging function, adjust the paging switch to "OFF" position (Figure-6)

### \* INTERPHONE DOORPHONE COMMUNICATION

1. Visitors press the call button on doorstation (DR-DW2):then they listen to the chime sound with two tone from roomstation(TP-nAC)

NOTE: 1)Not calling sound at roomstation, if adjusted to "OFF" position in paging switch.  
2)Pick up the handset within 12-15 seconds for talking.  
3)When you are talking between interphones, you can hear faint calling sound from the doorstation through receiver.

2. Pick up the handset of roomstation and talk to the visitor.
3. Without pushing the call button, you can talk to the other party and can also maintain the conversation away from 30Cm.
4. After ascertainment of the visitor, the door opens by press the No.1 button on the roomstation.

## ■ SPECIFICATION

Power source .....DC 12V  
Current consumption .....18mA  
Effective distance .....500mm/0.65mm  
wiring .....4common wires

## CONTROLS AND FUNCTIONS

### TP-nAC ROOMSTATION

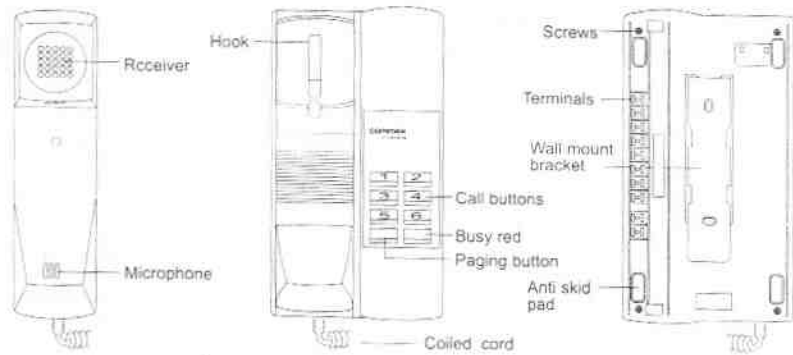


Figure-1 TP-nXC interphone(Top View)

Figure-2 TP-nAC interphone(Bottom View)

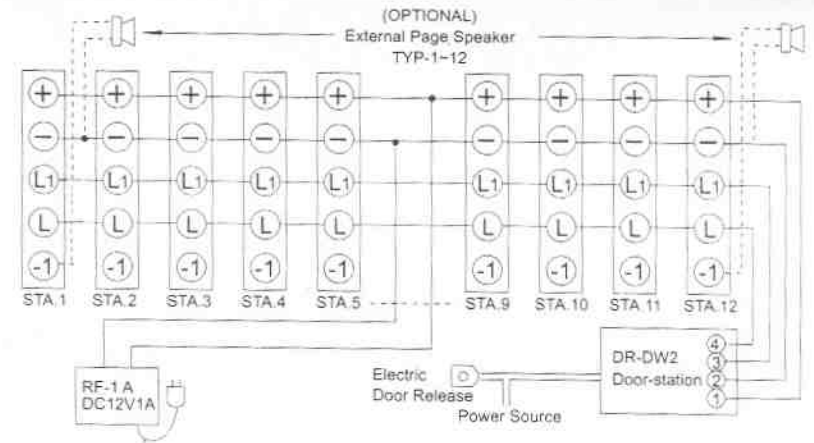


Figure-5 TP-nAC and DR-DW2 Connection Diagram

#### NOTE

↓ If the cable run is very long, connect the power supply to a junction terminal mid-way through the run.

↓ One power supply(RF-1 A) is recommended for each six station in a system.  
(Require two power supply(RF-1A) for more 7 stations of TP-nAC)

#### FIXING A PIN OF STATION NUMBER

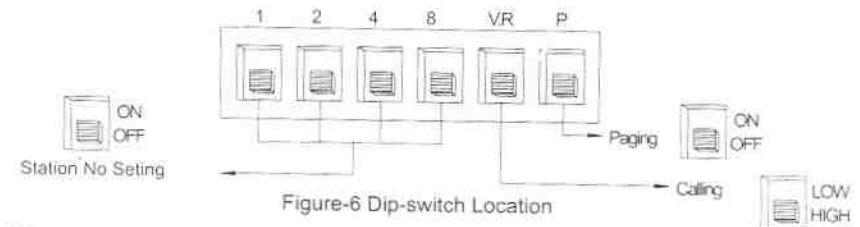
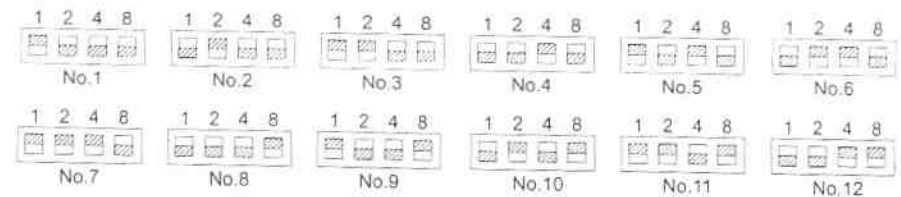


Figure-6 Dip-switch Location

The switch, its can be adjusted station number's on bottom side, has each interphone(TP-nAC) which switch consist of 6 positions. 2 position of right side is adjusted paging and calling volume TP-nAC 4 position of left side is adjusted stations number of each interphone(TP-nAC)

#### EXAMPLE



### DR-DW2 DOORSTATION

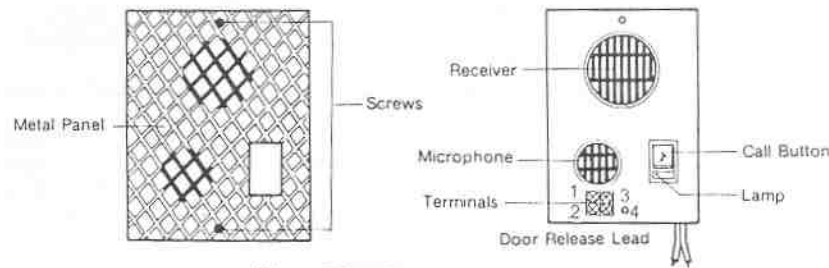


Figure-3 DR-DW2 Door

#### WIRING

This interphone is a simple wiring type and on all master and door entry system. According to customer's requirement, it can be composed of various system such as a 4 common wire in parallel system.

#### External Paging Speaker (Optional)

A built-in amplifier in each interphone station permits the addition of an external speaker to any station located in an area where the ambient sound level may interfere with the ability to hear paging announcement and the call tone.

#### Doorstation(Optional)

The commax Model DR-DW2 is a door station unit of TP-nAC interphone system and electric door releaser can be used with this doorphone system.

#### Power Supply (Optional)

The commax Model RF-1A regulated power supply provides 12V DC 1 Amp. A bracket is provided for mounting to a wall. A pilot lamp on the monitor illuminates when power has been applied.

BE SURE TO OBSERVE CORRECT POLARITY WIRING WHEN CONNECTING THE POWER SUPPLY TO THE JUNCTION TERMINAL.