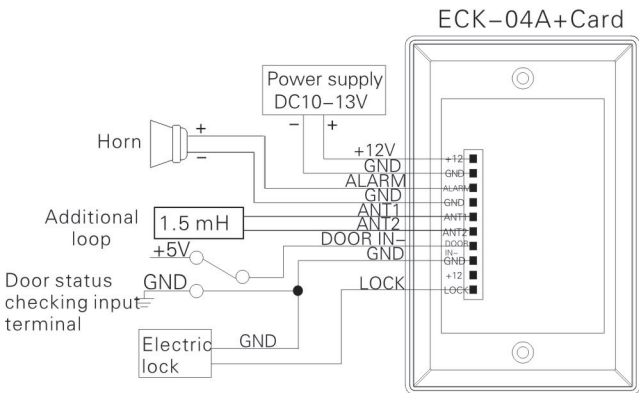


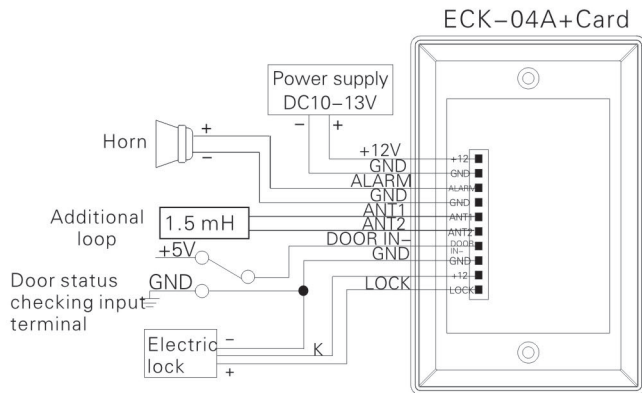
Detailed wiring diagram

(1) Connect to electric lock diagram



Note: The working current of the electrical lock should be $\leq 1A$
The output current of the power supply should be $\geq 0.8A$

(2) Connect to signal lock diagram



Note: The K represent the signal terminal of the lock.