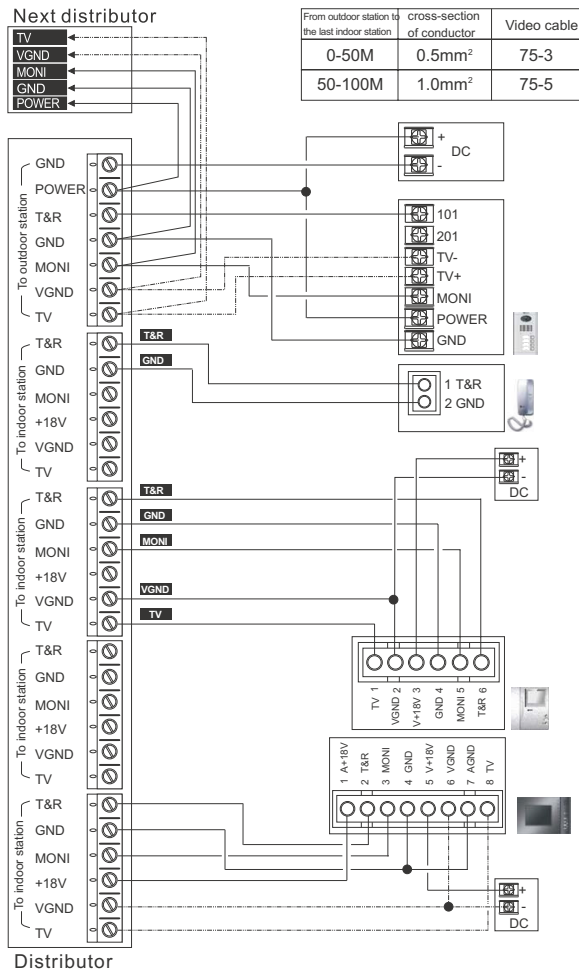


# General Catalogue System diagram

## 5+N VIDEO SYSTEM(WITH CM-02NECH-162)

When you need 4 indoor stations in the same apartment, please refer to the diagram as follows



## C-5 SYSTEM

### Optional:

Outdoor station

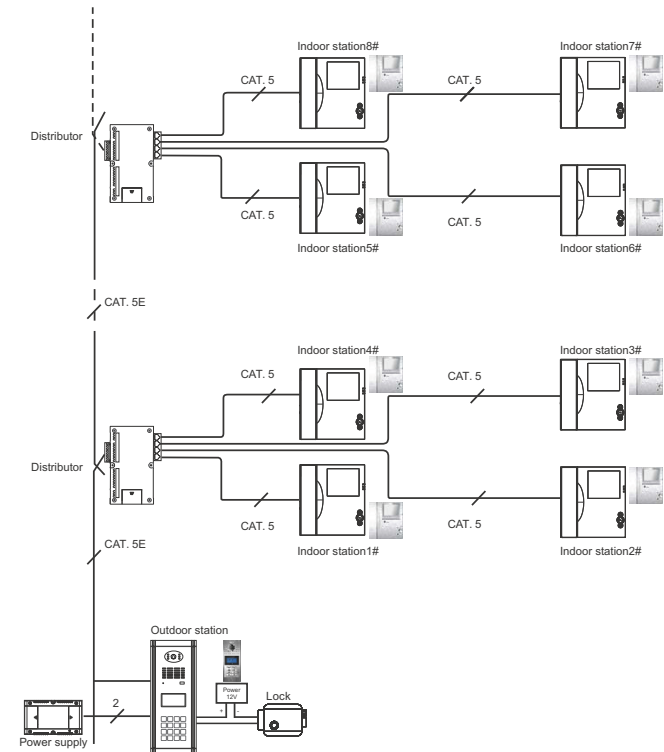


Indoor station



### C-5 SYSTEM:

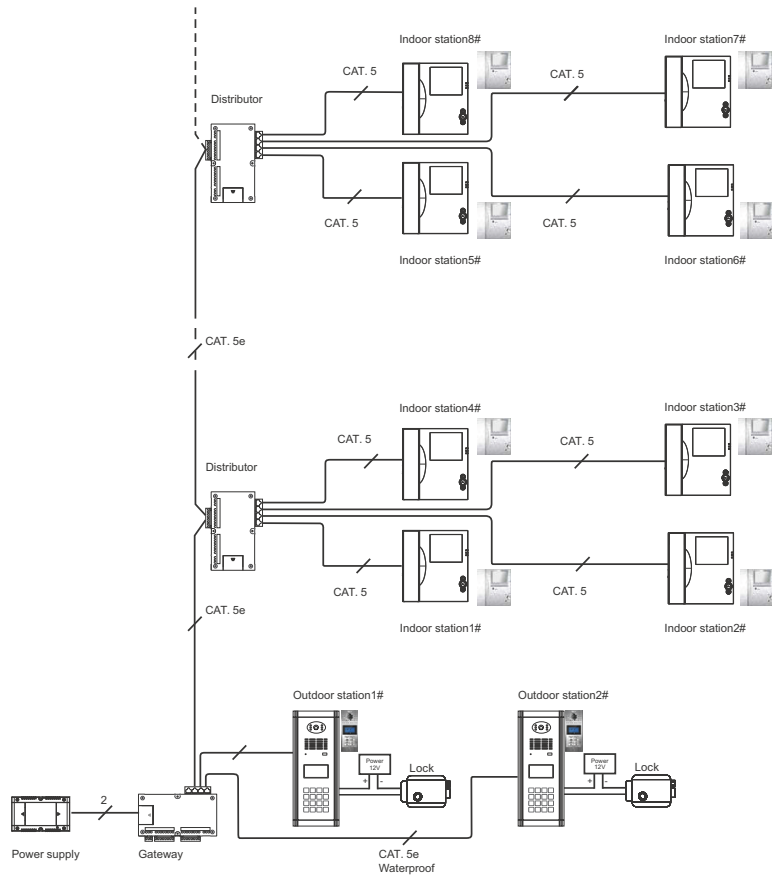
- (1) In digital call system, easily installation and commissioning.
- (2) Hand-up indoor station, with the function of communication with the management device and alarm and remote control unlocking.
- (3) Door can be released by various methods such as indoor station, guard unit, ID card, password, or EXIT button.
- (4) Optional indoor station number of 2 bit, 3 bit and 4 bit
- (5) Optional ring with 4 kinds of chord.
- (6) One outdoor station can load 200 distributors.
- (7) One distributor can be connected with 4 indoor stations.



# General Catalogue System diagram

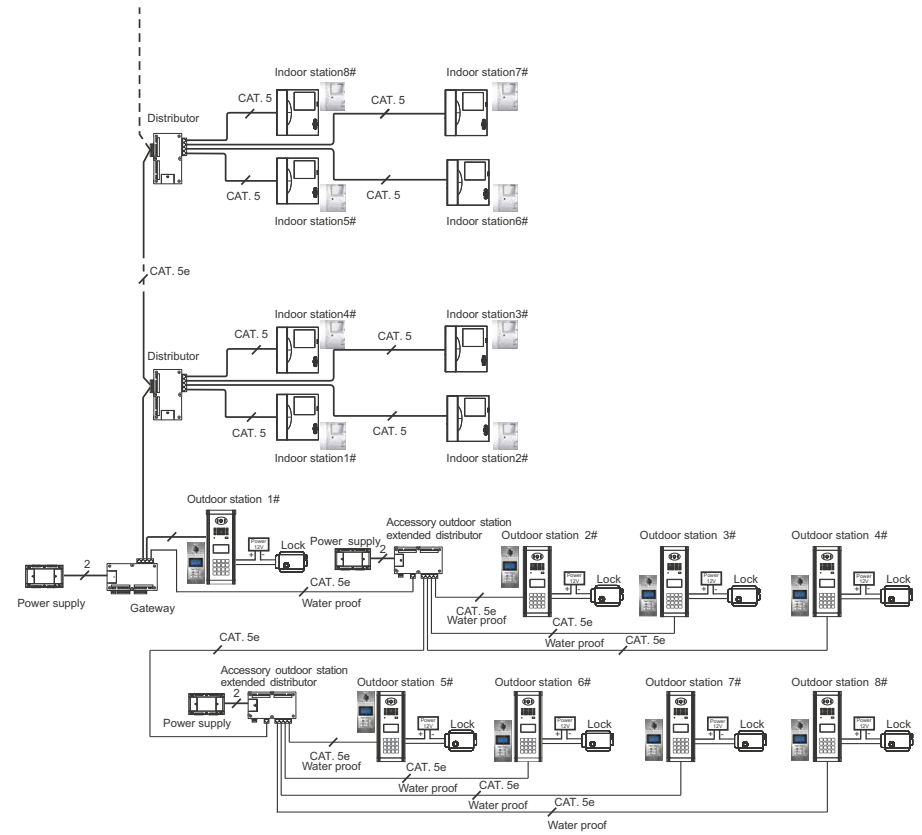
## C-5 VIDEO SYSTEM

When there are two entrances in the same building, please refer to the diagram as follows.



- [Note]**
1. The waterproof CAT.5e should be used when working in wet climate.
  2. Additional power supply should be used when outdoor station 2# is more than 30 meters away from gateway.

When there are more(Max.8) door entrances in the same building, please refer to the diagram as follows.

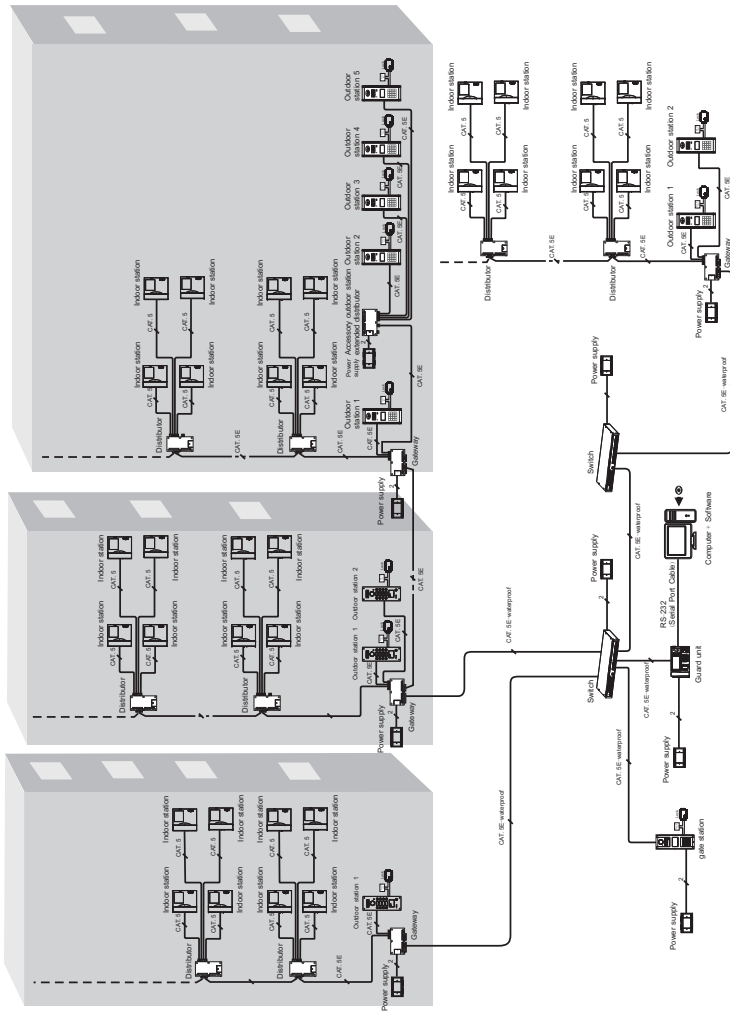


- [Note]**
1. The waterproof CAT.5e should be used when working in always wet climate.
  2. Additional power supply should be used when any additional outdoor station is more than 30 meters away from extended distributor.

# General Catalogue System diagram

## C-5 VIDEO SYSTEM

If you want to connect all equipments in network system, please refer to the diagram as follows.



## ACCESS CONTROL SYSTEM

KEYPAD AND CARD READER